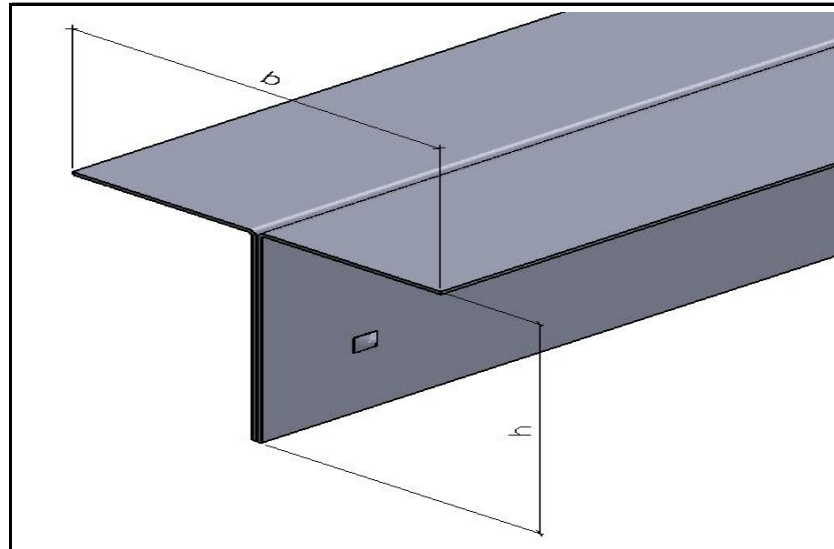
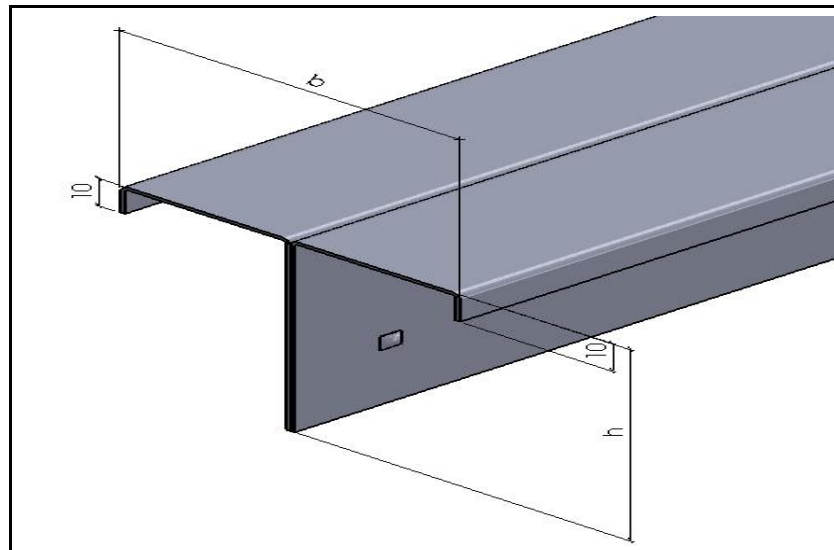


T - flex profile



	Profile	Material	Thickness mm	Dimensions, mm			
				b	h		Length, Lmax
T-flex 60	T-flex(50/30/50/30)x0,8	DX51D+Z275	0,8	60	50		6000
	T-flex(50/30/50/30)x1,0	S350GD+Z275	1,0	60	50		6000
	T-flex(50/30/50/30)x1,2	S350GD+Z275	1,2	60	50		6000
T-flex 80	T-flex(50/40/50/40)x0,8	DX51D+Z275	0,8	80	50		6000
	T-flex(50/40/50/40)x1,0	S350GD+Z275	1,0	80	50		6000
	T-flex(50/40/50/40)x1,2	S350GD+Z275	1,2	80	50		6000
T-flex 100	T-flex(50/50/50/50)x0,8	DX51D+Z275	0,8	100	50		6000
	T-flex(50/50/50/50)x1,0	S350GD+Z275	1,0	100	50		6000
	T-flex(50/50/50/50)x1,2	S350GD+Z275	1,2	100	50		6000
T-flex 120	T-flex(50/60/50/60)x0,8	DX51D+Z275	0,8	120	50		6000
	T-flex(50/60/50/60)x1,0	S350GD+Z275	1,0	120	50		6000
	T-flex(50/60/50/60)x1,2	S350GD+Z275	1,2	120	50		6000

T1- flex profile



	Profile	Material	Thickness mm	Dimensions, mm			
				b	h	a	Length, Lmax
T1-flex 60	T1-flex(50/30/11/50/30/11)x0,8	DX51D+Z275	0,8	60	50	11	6000
	T1-flex(50/30/11/50/30/11)x1,0	S350GD+Z275	1,0	60	50	11	6000
	T1-flex(50/30/11/50/30/11)x1,2	S350GD+Z275	1,2	60	50	11	6000
T1-flex 80	T1-flex(50/40/11/50/40/11)x0,8	DX51D+Z275	0,8	80	50	11	6000
	T1-flex(50/40/11/50/40/11)x1,0	S350GD+Z275	1,0	80	50	11	6000
	T1-flex(50/40/11/50/40/11)x1,2	S350GD+Z275	1,2	80	50	11	6000
T1-flex 100	T1-flex(50/50/11/50/50/11)x0,8	DX51D+Z275	0,8	100	50	11	6000
	T1-flex(50/50/11/50/50/11)x1,0	S350GD+Z275	1,0	100	50	11	6000
	T1-flex(50/50/11/50/50/11)x1,2	S350GD+Z275	1,2	100	50	11	6000
T1-flex 120	T1-flex(50/60/11/50/60/11)x0,8	DX51D+Z275	0,8	120	50	11	6000
	T1-flex(50/60/11/50/60/11)x1,0	S350GD+Z275	1,0	120	50	11	6000
	T1-flex(50/60/11/50/60/11)x1,2	S350GD+Z275	1,2	120	50	11	6000

