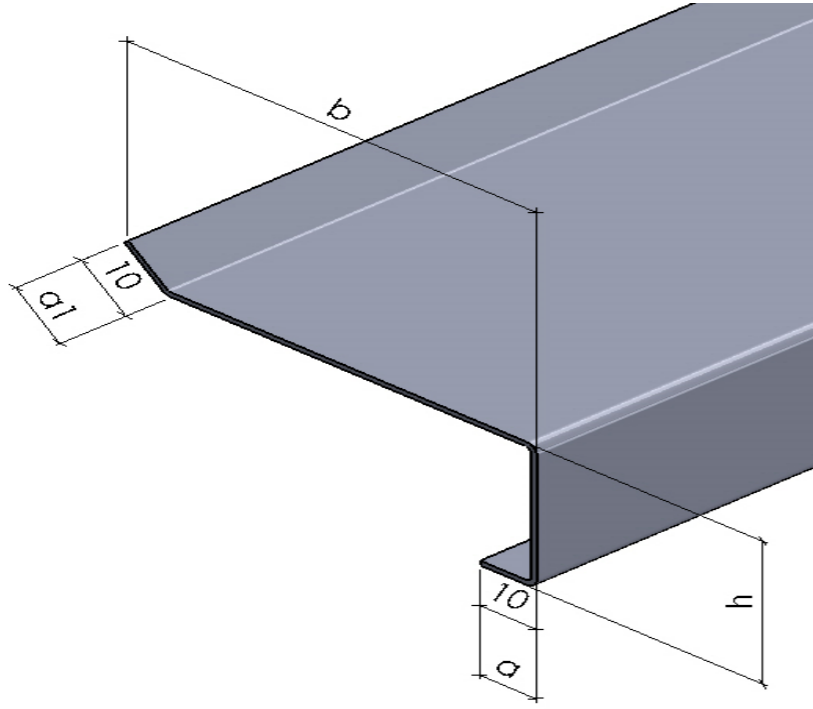


Z - flex tipo profiliai ventiliuojamo fasado karkasui įrengti

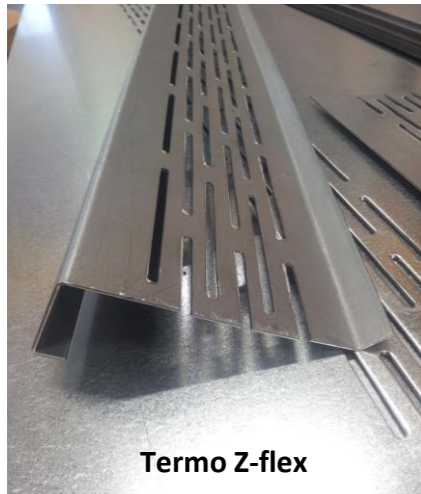
Kodas užsakymams	Profilio pavadinimas	Metalo markė	Metalo storis, mm	Profilio matmenys, mm				
				b	h	a	a1	Ilgis Lmax
Z-flex 50	Z-flex(11/45/30/11)x0,8	DX51D+Z275	0,8	50	30	11	11	6000
	Z-flex(11/45/30/11)x1,0	S350GD+Z275	1,0	50	30	11	11	6000
	Z-flex(11/45/30/11)x1,2	S350GD+Z275	1,2	50	30	11	11	6000
	Z-flex(11/45/30/11)x1,5	S350GD+Z275	1,5	50	30	11	11	6000
Z-flex 70*	Z-flex(11/65/30/11)x0,8	DX51D+Z275	0,8	70	30	11	11	6000
	Z-flex(11/65/30/11)x1,0	S350GD+Z275	1,0	70	30	11	11	6000
	Z-flex(11/65/30/11)x1,2	S350GD+Z275	1,2	70	30	11	11	6000
	Z-flex(11/65/30/11)x1,5	S350GD+Z275	1,5	70	30	11	11	6000
Z-flex 100*	Z-flex(11/95/30/11)x0,8	DX51D+Z275	0,8	100	30	11	11	6000
	Z-flex(11/95/30/11)x1,0	S350GD+Z275	1,0	100	30	11	11	6000
	Z-flex(11/95/30/11)x1,2	S350GD+Z275	1,2	100	30	11	11	6000
	Z-flex(11/95/30/11)x1,5	S350GD+Z275	1,5	100	30	11	11	6000
Z-flex 120*	Z-flex(11/115/30/11)x0,8	DX51D+Z275	0,8	120	30	11	11	6000
	Z-flex(11/115/30/11)x1,0	S350GD+Z275	1,0	120	30	11	11	6000
	Z-flex(11/115/30/11)x1,2	S350GD+Z275	1,2	120	30	11	11	6000
	Z-flex(11/115/30/11)x1,5	S350GD+Z275	1,5	120	30	11	11	6000



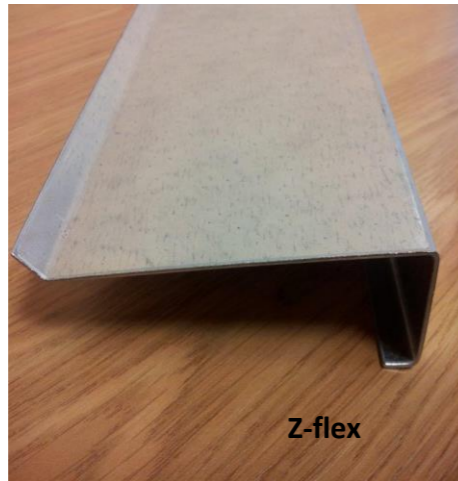
* - gaminame Termo Z-flex profilius (žr. nuotrauką žemiau)

Taip pat gaminame pagal pageidaujamus kliento pateiktus a, a1, b ir h matmenis.

Galimi cinkuoto metalo storiai (mm): 0,5 0,7 0,8 1,0 1,2 1,5 2,0 2,5 3,0 3,2



Termo Z-flex



Z-flex